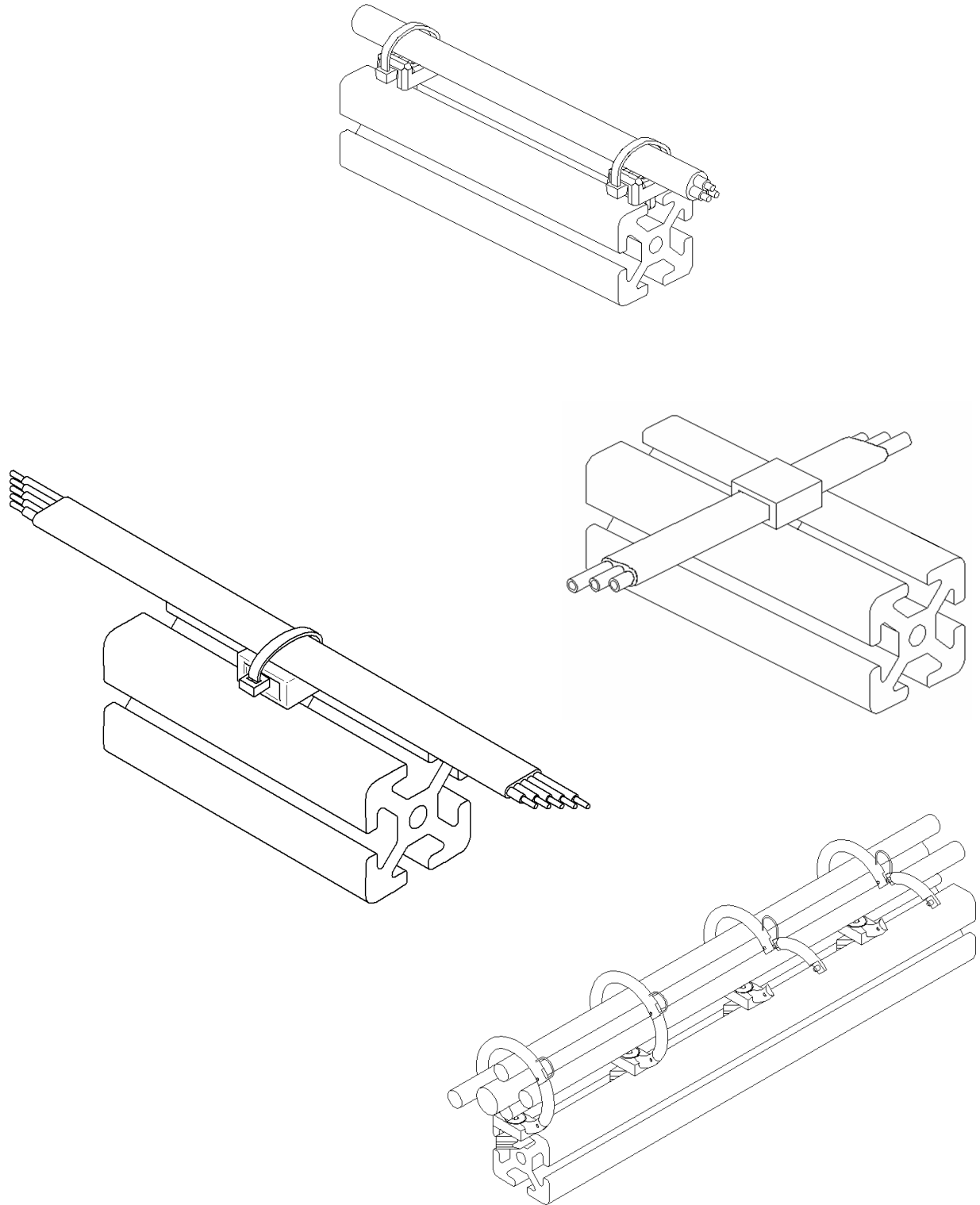


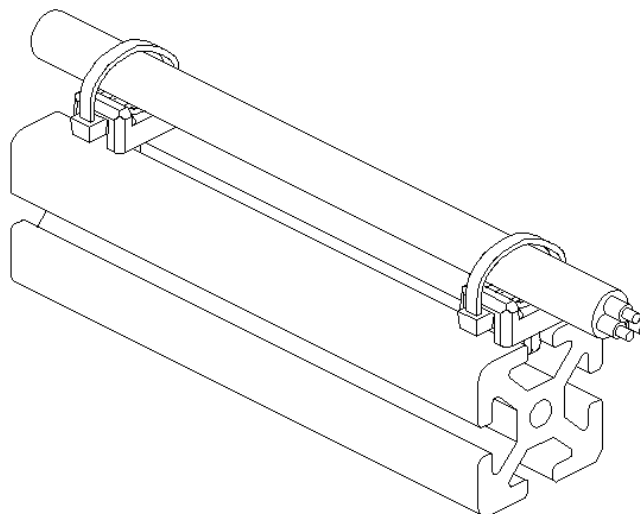
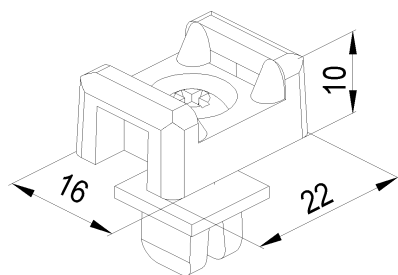
Installation Elements



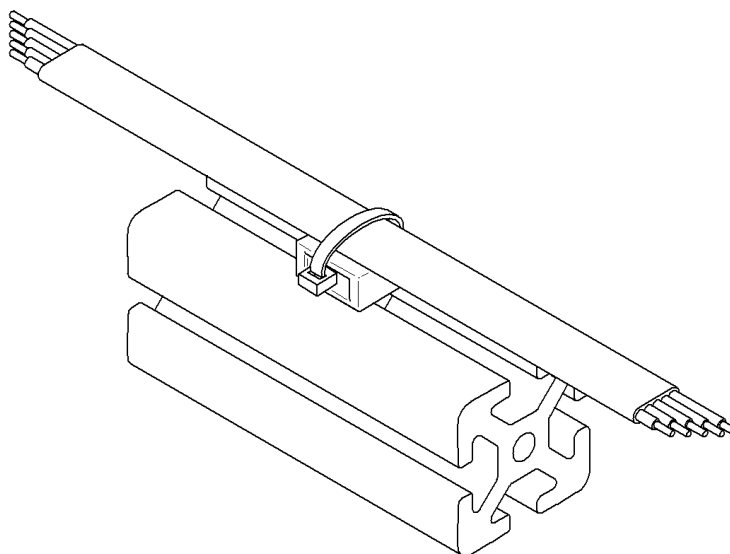
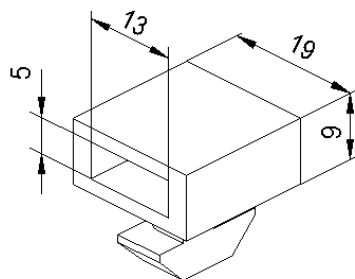
Other Installation Elements

If you cannot find an installation element listed that you need, then please contact us for a quotation of availability and price

Tube/Cable Holder 8



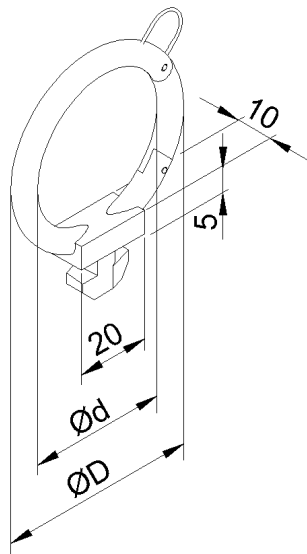
Twist-in Cable Holder 8 40 Twist-in Cable Holder 8 30



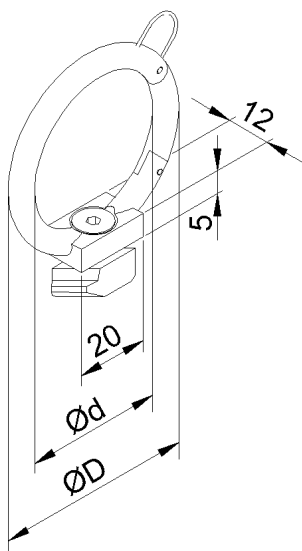
Technical Data	Application
PA-GF, black Cross Head Screw M5x12, zinc plated	For the attachment of cables and tubes The Tube/Cable Holder is clamped by means of the Phillips screw in the slot 8. The Twist-in Cable Holder fits into the slot of profile series P8 40 and P8 30 and rotates to lock.

Part Number	Description	m
30.330.0	Tube/Cable Holder 8	4.5 g
30.335.0	Twist-in Cable Holder 8 40	4.2 g
30.336.0	Twist-in Cable Holder 8 30	4.0 g

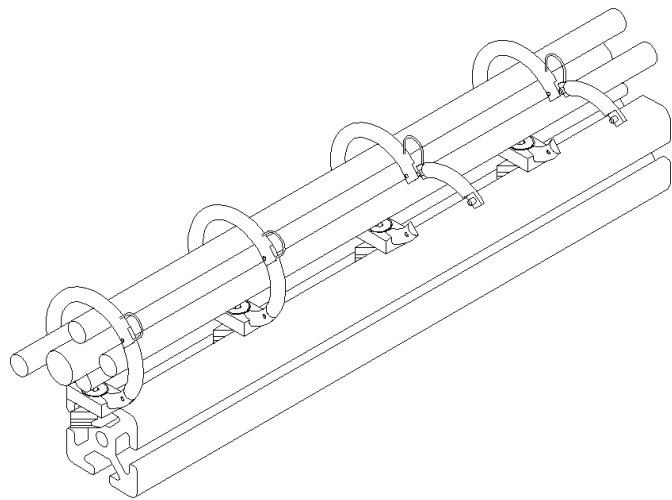
Cable and Hose Ring Holder



Twist-in Fastening



Screw and Nut Fastening



Technical Data	Application
PA-GF, black	For the support of cables and tubes. The Cable / Tube Ring Holder can be rotated to lock or fastened by screw and nut For easy installation of cables and tubes, the rings can be unclipped to open

Part Number	Description	d	D	m
30.700.0	Cable/Tube Ring Holder 15, twist-in	17 mm	28.5 mm	3.8 g
30.701.0	Cable/Tube Ring Holder 25, twist-in	25 mm	36.5 mm	4.5 g
30.702.0	Cable/Tube Ring Holder 35, twist-in	35 mm	47.5 mm	6.4 g
30.703.0	Cable/Tube Ring Holder 45, twist-in	45 mm	56.5 mm	7.6 g
30.704.0	Cable/Tube Ring Holder 15, screw and nut	17 mm	28.5 mm	9.8 g
30.705.0	Cable/Tube Ring Holder 25, screw and nut	25 mm	36.5 mm	10.5 g
30.706.0	Cable/Tube Ring Holder 35, screw and nut	35 mm	47.5 mm	12.4 g
30.707.0	Cable/Tube Ring Holder 45, screw and nut	45 mm	56.5 mm	13.6 g