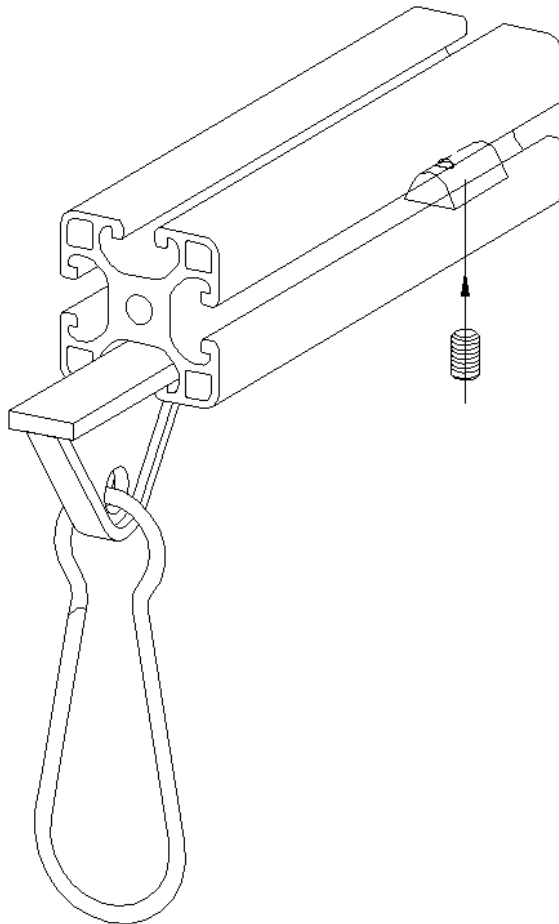


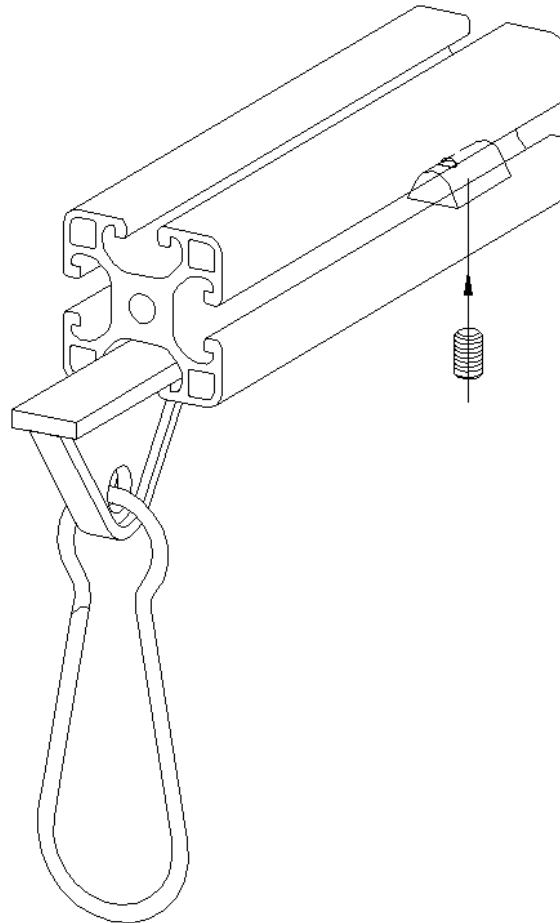
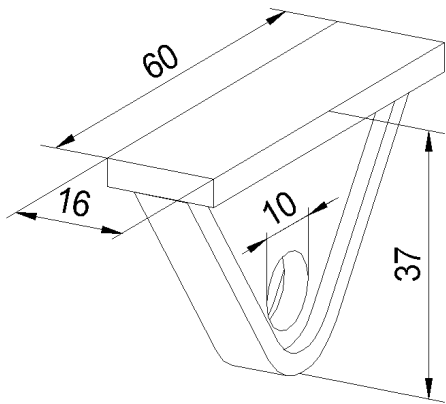
## Workstation Accessories



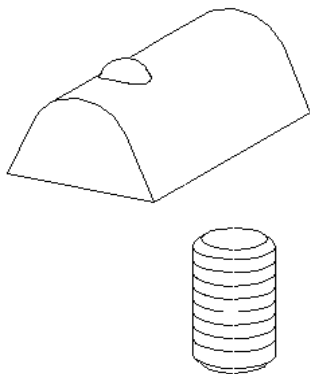
### Other Workstation Accessories

If you cannot find a workstation accessory listed that you need, then please contact us for a quotation of availability and price

## Suspended Glider 8



## Clamping Element 8



Technical Data	Application
PA-GF, black Load max. 100N Sliding Nut 8 St M6 V, zinc plated Screw M6, St, zinc plated	Can be used 8mm slot profiles as a sliding support of, for example, tools, protective curtains, etc.  Suitable as a limit stop.

Part Number	Description	m
34.290.0	Suspended Glider 8	8 g
34.291.0	Clamping Element 8	12 g