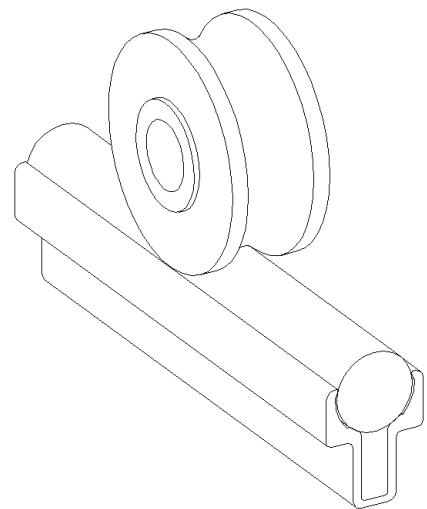
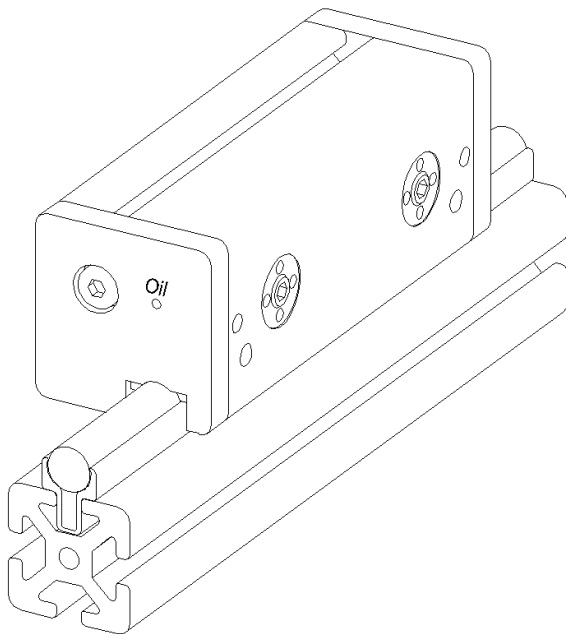
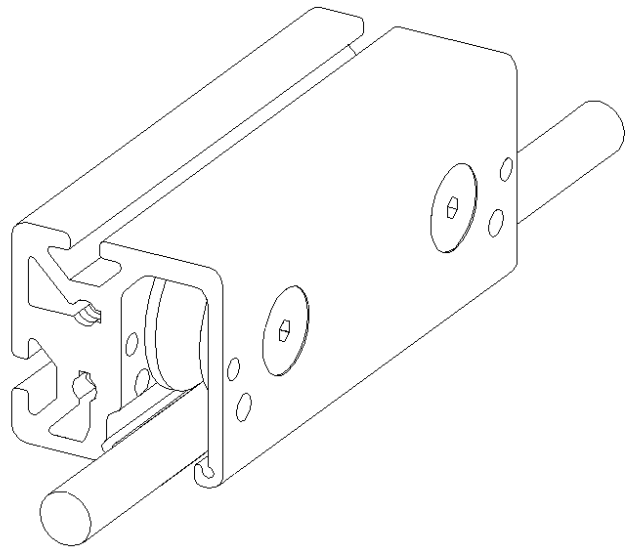
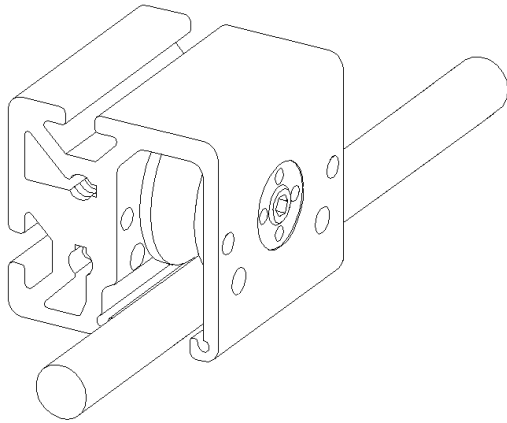


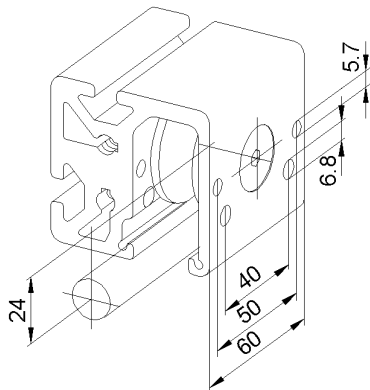
Dynamic Elements



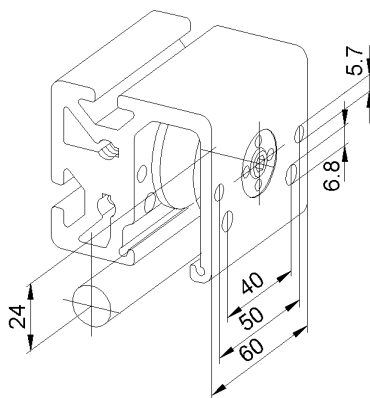
Other Dynamic Elements

If you cannot find a dynamic element listed that you need, then please contact us for a quotation of availability and price

Bearing Unit 8 D14, single, concentric



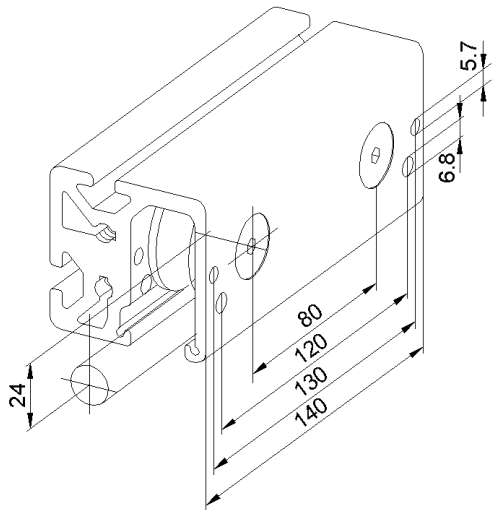
Bearing Unit 8 D14, single, eccentric



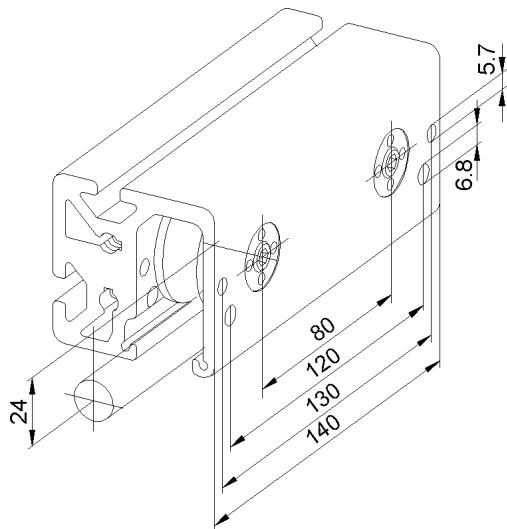
Technical Data	Application
Al, natural anodised Bearing Bolt 8 D14 concentric Guide Roller D14 2 Screw M8x16, St, zinc plated 2 Washers, St, zinc plated Dynamic Load Rating C 9'300 N Static Load Rating C ₀ 5'700 N Adjustment +/- 1 mm	Accurate, reliable and smooth linear units with different mounting options The use of cover and lubrication units 8 D14 reduce wear. By using the eccentric option opposing the concentric variable clamp and accuracy settings can be set

Part Number	Description	m
16.330.0	Bearing Unit 8 D 14, single, concentric	400 g
16.331.0	Bearing Unit 8 D 14, single, eccentric	400 g

Bearing Unit 8 D14, double, concentric



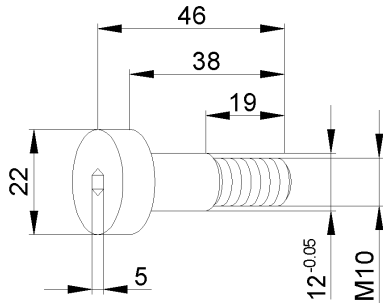
Bearing Unit 8 D14, double, eccentric



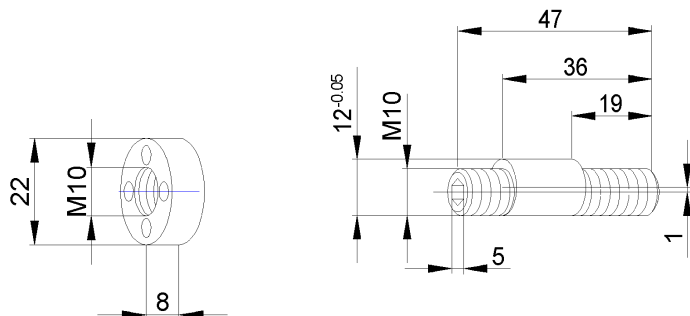
Technical Data	Application
Al, natural anodised Bearing Bolt 8 D14 concentric Guide Roller D14 2 Screw M8x16, St, zinc plated 2 Washers, St, zinc plated Dynamic Load Rating C 18'600 N Static Load Rating C ₀ 11'400 N Adjustment +/- 1 mm	Accurate, reliable and smooth linear units with different mounting options The use of cover and lubrication units 8 D14 reduce wear. By using the eccentric option opposing the concentric variable clamp and accuracy settings can be set

Part Number	Description	m
16.332.0	Bearing Unit 8 D 14, double, concentric	885 g
16.333.0	Bearing Unit 8 D 14, double, eccentric	885 g

Bearing Bolt 8 D14, concentric



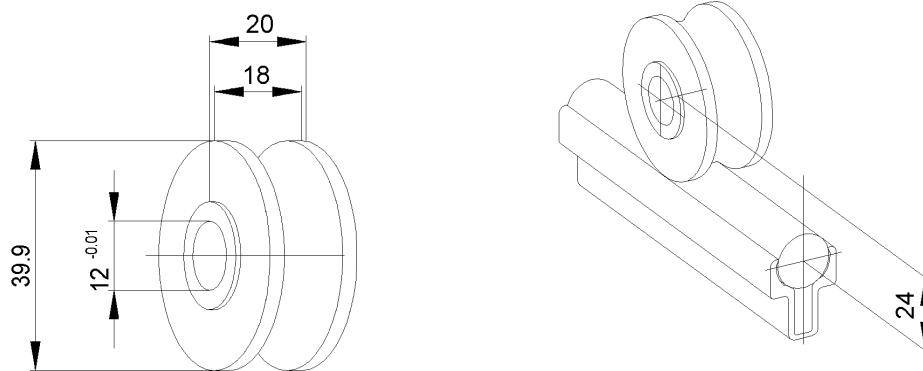
Bearing Bolt 8 D14, eccentric



Technical Data	Application
concentric St, black, corrosion resistant	Bearing Bolt used in Concentric Bearing Unit
eccentric Bolt and round nut St, black, corrosion resistant Adjustment +/-1 mm	

Part Number	Description	m
16.370.0	Bearing Bolt 8 D14, concentric	48 g
16.371.0	Bearing Bolt 8 D14, eccentric	46 g

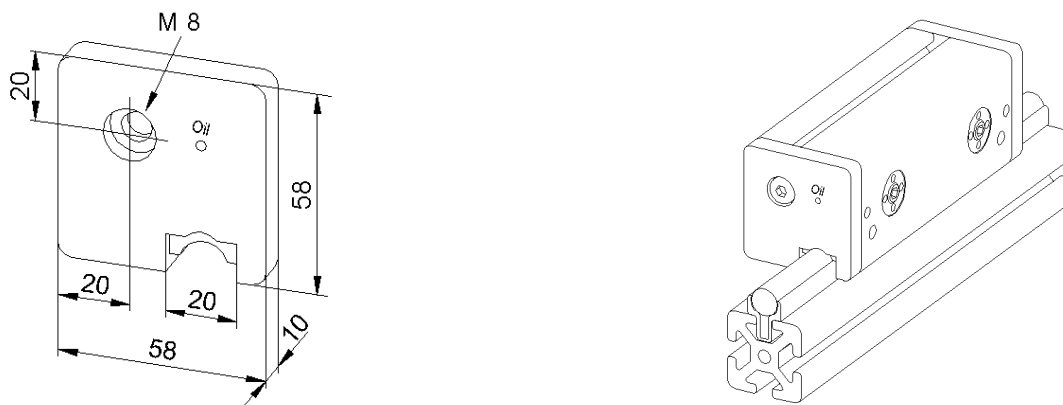
Guide Roller D14



Technical Data	Application
St, 100 Cr 6, hardened, ground Double-row ball bearings, sealed , maintenance-free Dynamic Load Rating C 9,300 N Static Load Rating 5,700 C0 N Max speed 5,000 min ⁻¹	Guide Roller for Bearing Unit 8 D14. The ground 14mm diameter allows accurate contact to the guide shaft.

Part Number	Description	m
16.360.0	Guide Roller D14	104 g

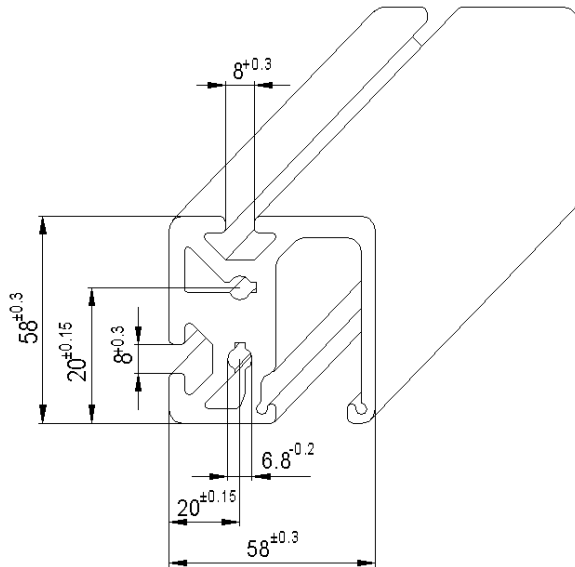
Cover and Lubrication Cap 8 D14



Technical Data	Application
PA.GF, black Cover and Lubrication Cap 8 D14 left Cover and Lubrication Cap 8 D14 right 2 Screw M8x10, St, zinc plated	Covers the ends of the Bearing Unit 8 D14 with an integrated lubrication felt pad. The felt pad needs to be oiled twice a year.

Part Number	Description	m
16.340.0	Cover and Lubrication Cap 8 D14	63 g

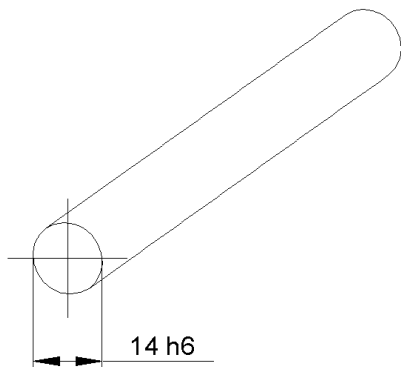
Guide Roller Profile P8 58x58 LAF D14



Technical Data	Application
Al, natural anodised A 15.96 cm ² I _x 48.06 cm ⁴ I _y 47.94 cm ⁴ W _x 15.76 cm ³ W _y 14.24 cm ³	For constructing Bearing Unit D14 in various lengths

Part Number	Description	m
10.154.0	Guide Roller Profile P8 58x58 LAF D14	4.25 kg/m

Linear Shaft D14



Technical Data	Application
St, Cf 53, hardened und ground min. Effective depth 0.60 mm Roundness 5 μm Parallelism 8 $\mu\text{m}/1000\text{ mm}$	Linear Shaft for use with the Bearing Units D14

Part Number	Description	m
16.350.0	Linear Shaft D14	1.21 kg/m