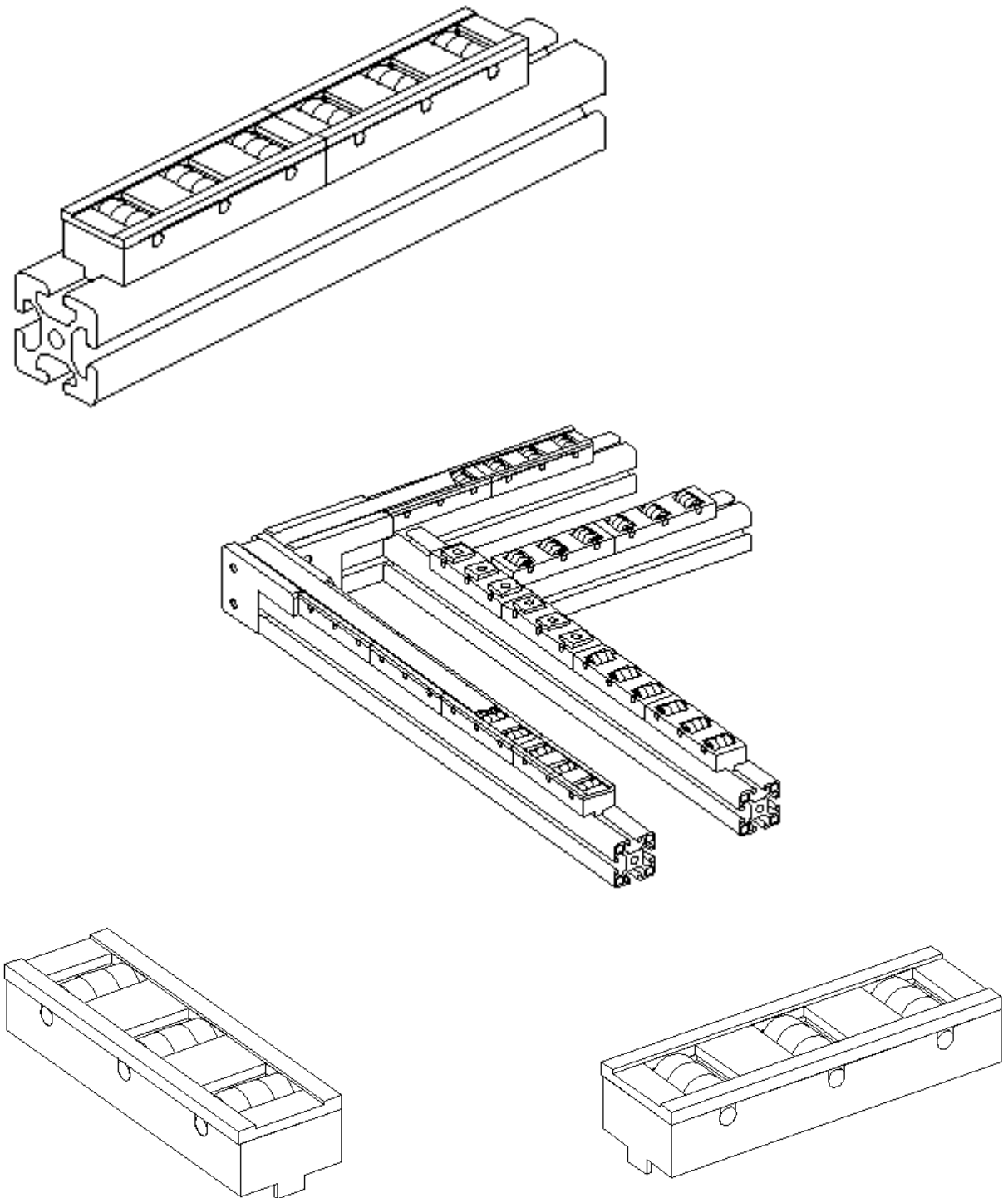


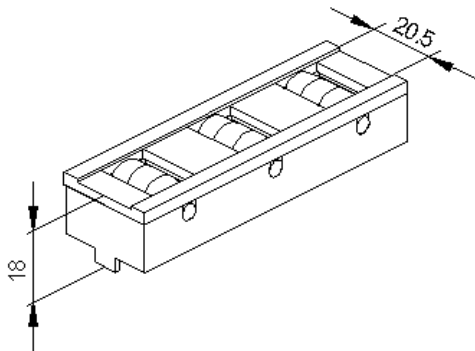
## Transfer Elements



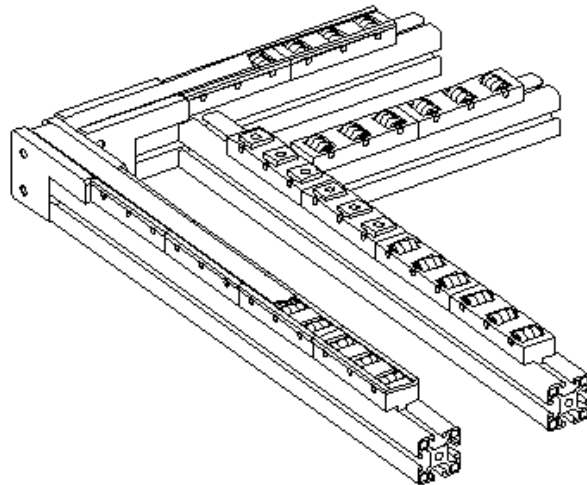
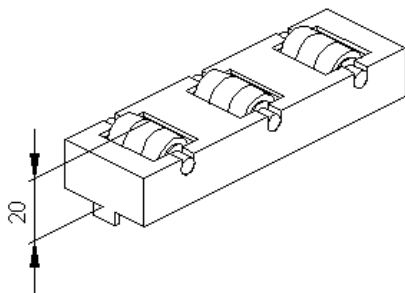
### Other Transfer Elements

If you cannot find a transfer element listed that you need or require a conveyor belt, then please contact us for a quotation of availability and price

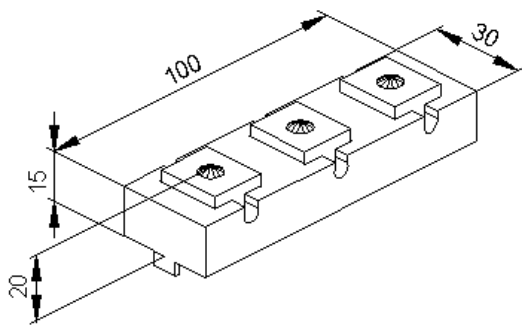
## Roller Element 13 & Belt Guide 40



## Roller Element 16



## Ball Element



Technical Data	Application
PA-GF, black	For the construction of individual transport and conveying systems. The work pieces can be moved by hand or by a belt drive. The role of this element is a guide for the belt (20 mm). Each element style can simply be clipped into any profile with 8mm slot.

Part Number	Description	m
26.010.0	Roller Element 13 & Belt Guide 40	33 g
26.020.0	Roller Element 16	22 g
26.030.0	Ball Element	35 g